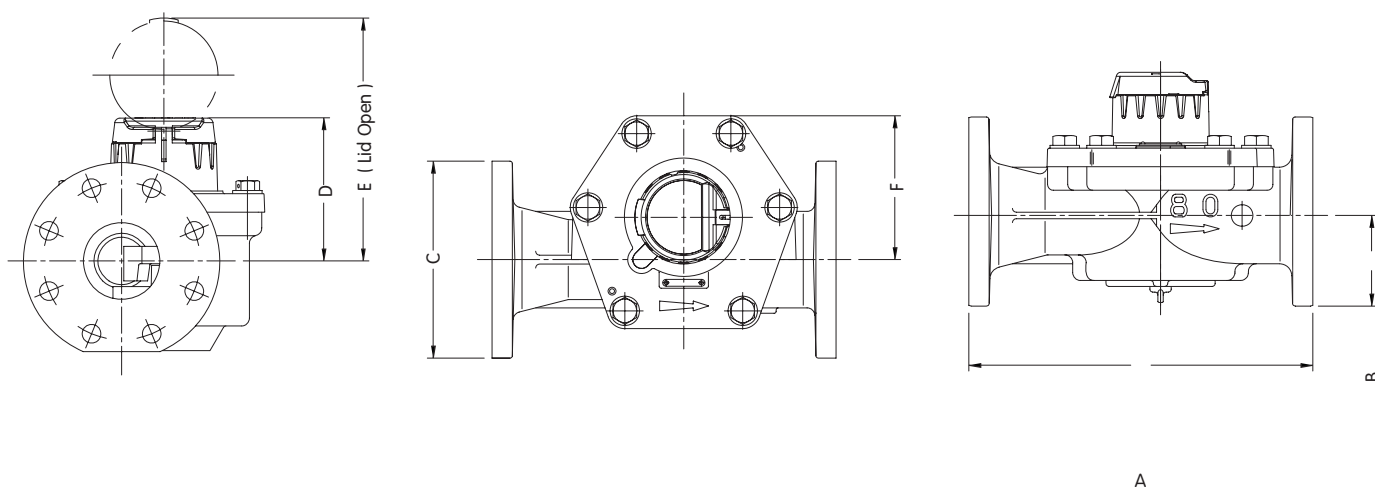


Performance							
Meter size (mm)			40	50	65	80	100
Overload flow	qs±2%	m³/h	30	40	60	90	120
Permanent flow	qp±2%	m³/h	15	20	30	45	60
Transitional flow	qt±2%	m³/h	0.10	0.10	0.12	0.18	0.35
Minimum flow	qmin±5%	m³/h	0.070	0.070	0.09	0.12	0.25
Starting flow*	-		0.030	0.030	0.035	0.05	0.075
Headloss at maximum flow		bar	0.6	0.7	0.6	0.6	0.6
Maximum registration		m³	999,999	999,999	999,999	999,999	999,999
Maximum water temperature		°C	50	50	50	50	50
Maximum working pressure		bar	16	16	16	16	16

\*approximate values only

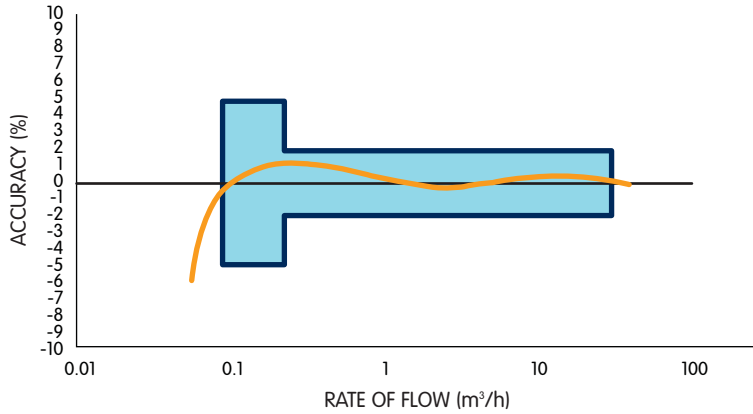
Standard ISO specification Class C							
Overload flow	qs±2%	m³/h	20	30	40	60	100
Permanent flow	qp±2%	m³/h	10	15	20	30	50
Transitional flow	qt±2%	m³/h	0.15	0.225	0.3	0.45	0.75
Minimum flow	qmin±5%	m³/h	0.100	0.090	0.120	0.180	0.300
Headloss at ISO	qs	bar	0.7	0.7	0.6	0.6	0.6

Dimensions							
Meter size		mm	40	50	65	80	100
Overall length (A)		mm	300	300	300	350	350
Height (B)		mm	70	71	81	95	110
Diameter (C)		mm	150	166	186	201	228
Height (D)		mm	134	134	139	146	158
Height (E)		mm	221	221	226	233	245
Width (F)		kg	100	100	115	150	200
Weight (kg)		kg	13	15	20	28	43

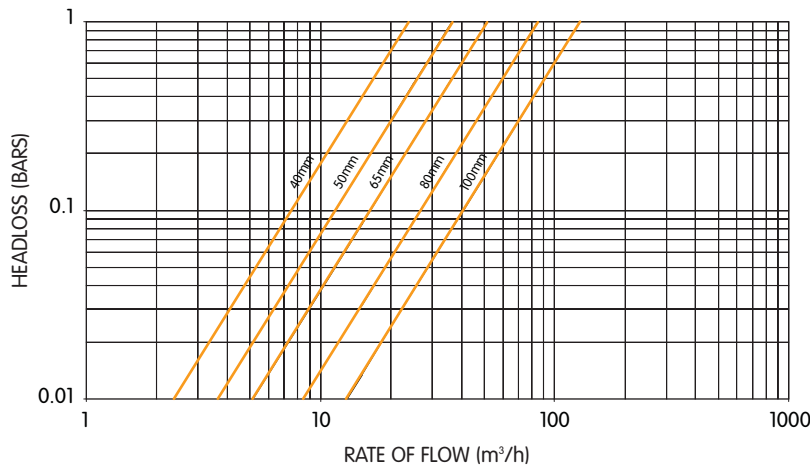


Accuracy Curve, Headloss Curve and Pulse Connectivity shown overleaf.

### Typical Accuracy Curve



### Typical Headloss Curve



### Pulse Connectivity

Calculating Pulse Weights when fitted with PR7 inductive pulser

Pulse Weight is calculated by multiplying the Register 'Pulse Factor' (P) by the PR7 'K-Factor' (K)  
 Pulse Weight (Litres per Pulse) = P × K

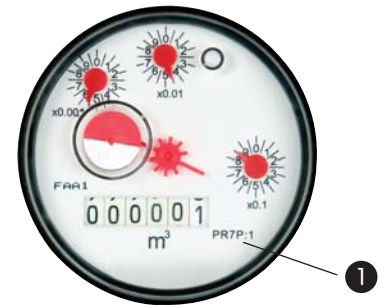
Size	Pulse Factor	K-Factor			
		K1	K10	K100	K1000
40mm	P:1	1 ltr	10 ltrs	100 ltrs	1,000 ltrs
50mm	P:1	1 ltr	10 ltrs	100 ltrs	1,000 ltrs
65mm	P:1	1 ltr	10 ltrs	100 ltrs	1,000 ltrs
80mm	P:1	1 ltr	10 ltrs	100 ltrs	1,000 ltrs
100mm	P:1	1 ltr	10 ltrs	100 ltrs	1,000 ltrs

PR7 is an open collector pulse transmitter suitable for data logging, AMR and telemetry equipment. Check with your equipment supplier for full details of compatibility.

Pressure equipment directive 97/23/EC.

This product is applicable in networks for the supply, distribution and discharge of water and associated equipment and is therefore exempt.

Copyright Elster Metering Limited 2008.



- On this example 50mm S2000 register, the user can identify from the dial plate both the:
  - Type of pulser to use ie PR7
  - Pulse Factor ie P:1



- On the PR7 unit the user can identify from the label the K-Factors for each output channel
- Primary Output K-Factor
- Secondary Output K-Factor

Note: Specifications are subject to change without notice.