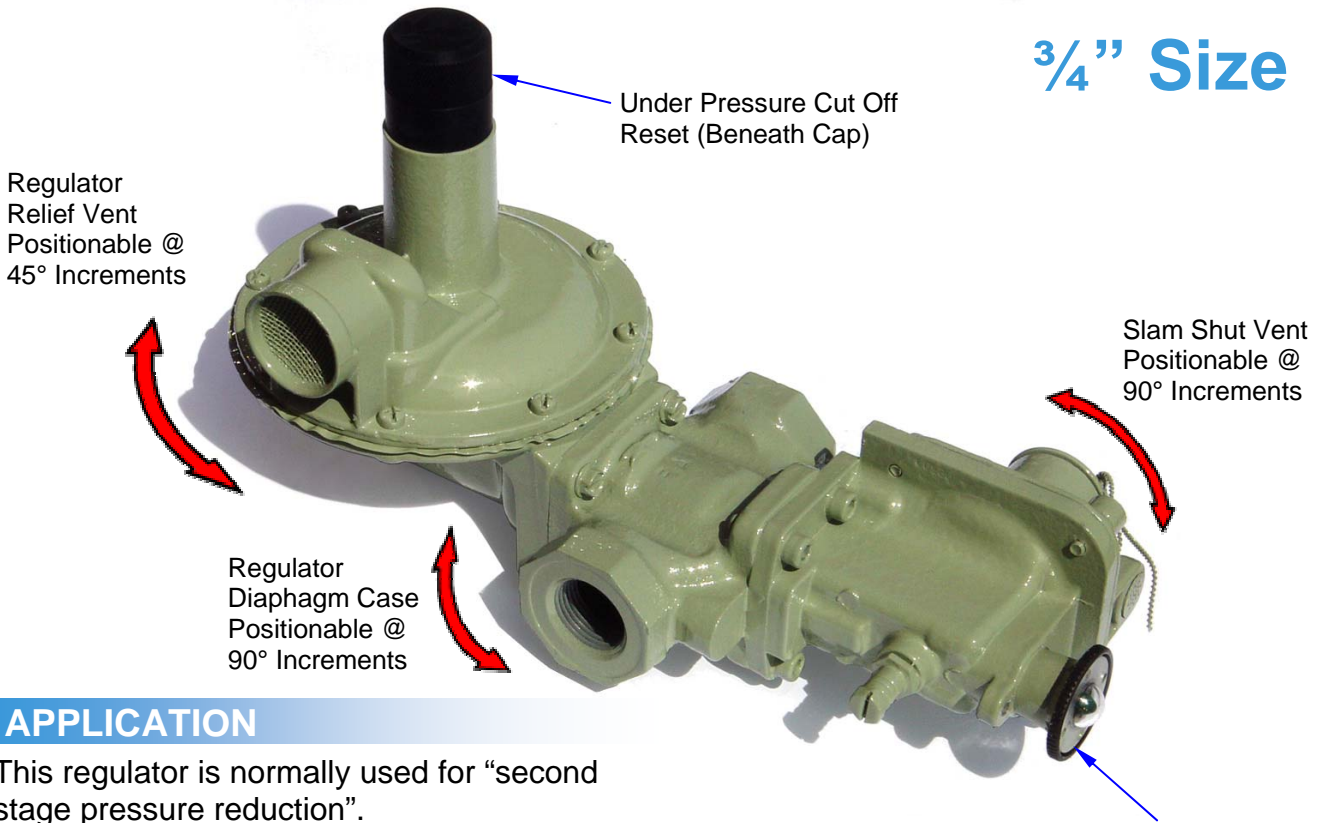


3/4" Size



Regulator Relief Vent Positionable @ 45° Increments

Under Pressure Cut Off Reset (Beneath Cap)

Slam Shut Vent Positionable @ 90° Increments

Regulator Diaphragm Case Positionable @ 90° Increments

Over pressure Slam Shut Reset (Factory Sealed)

APPLICATION

This regulator is normally used for "second stage pressure reduction".

FEATURES

- Independent over pressure shut off (OPSS)
- Independent under pressure shut off (OPSS)
- An outlet pressure test point is fitted for in-situ testing of all pre set pressures
- Complies with requirements of BS3016
- Internal limited capacity relief valve
- Full gas tightness for OPSS reset
- Flexible reset on UPSS prevents inadvertent operation of OPSS.

INLET PRESSURE

Normal Inlet Pressure range:
0.6 - 4.0 Bar (8.7 - 58 psig)

Maximum Body Pressure (Emergency)
20 Bar (290 psig)

Set Outlet Pressure:
37 mbar ± 2 mbar (14.8 "wg)

REGULATOR

Control: Outlet pressure 32 - 42mbar (12.8 - 16.8"wg), for all inlet pressures from 0.6 Bar to 4.0 Bar (8.7 - 58 psig) and all flow rates from 0.56 - 5.66 scmh (49,400 - 499,700 Btu) propane. Maximum lock-up pressure 49 mbar (19.6"wg) at zero flow.

Set Point: This regulator is pre-set at 37 mbar (14.8"wg) with 0.75 Bar (10.9 psig) inlet pressure and 1.13 scmh (99,760 Btu) flow rate propane.

RELIEF

Pre-set at 56mbar (22.4"wg)
Tolerance: ± 5 mbar (2"wg)
Capacity: nominally 1% of fault capacity.

OVER PRESSURE

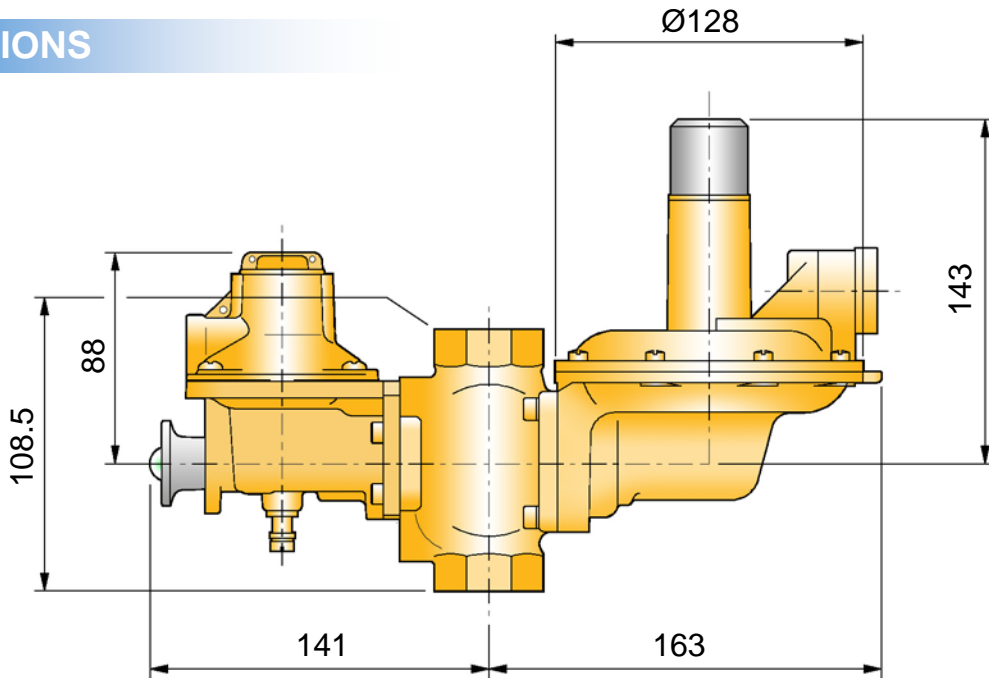
Pre-set at 75mbar (30"wg)
Tolerance: ± 5 mbar (2"wg)

UNDER PRESSURE

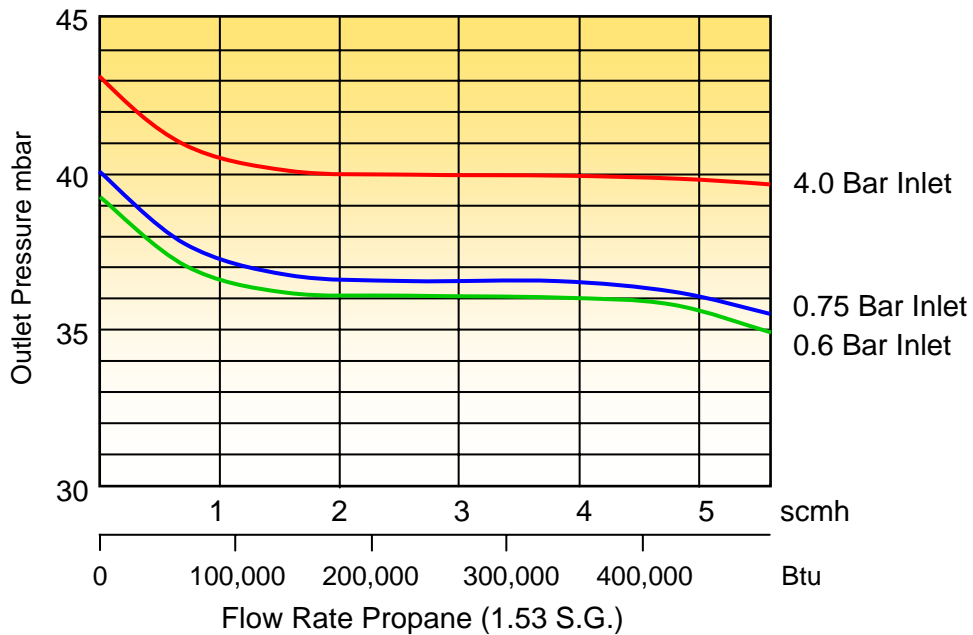
25mbar (10"wg) minimum at the following conditions:

- 0.40 Bar (5.8psig) inlet and 5.66 scmh (499,700 Btu) flow.
- 0.20 Bar (2.9psig) inlet and 3.96 scmh (349,600 Btu) flow.
- 0.10 Bar (1.5psig) inlet and 0.42 scmh (37,000 Btu) flow.

DIMENSIONS



TYPICAL PERFORMANCE



QUALITY

Elster Jeavons is committed to a programme of continuous quality enhancement. All equipment designed and manufactured by Jeavons benefits from the company's quality assurance standards which are approved to BS EN ISO 9001 : 1994.

Elster Jeavons has a programme of continuous product development and improvement and in consequence the information in this leaflet may be subject to change or modification without notice.

DATASHEET CSLP40 ISSUE C MAY 2000

WEIGHT

The J1253 weighs 2.1 Kg

SERVICING

The J1253 has been designed for ease of access, inspection and servicing of all internal components. A standard soft spares kit is available.

Ref No. SKL1253-02